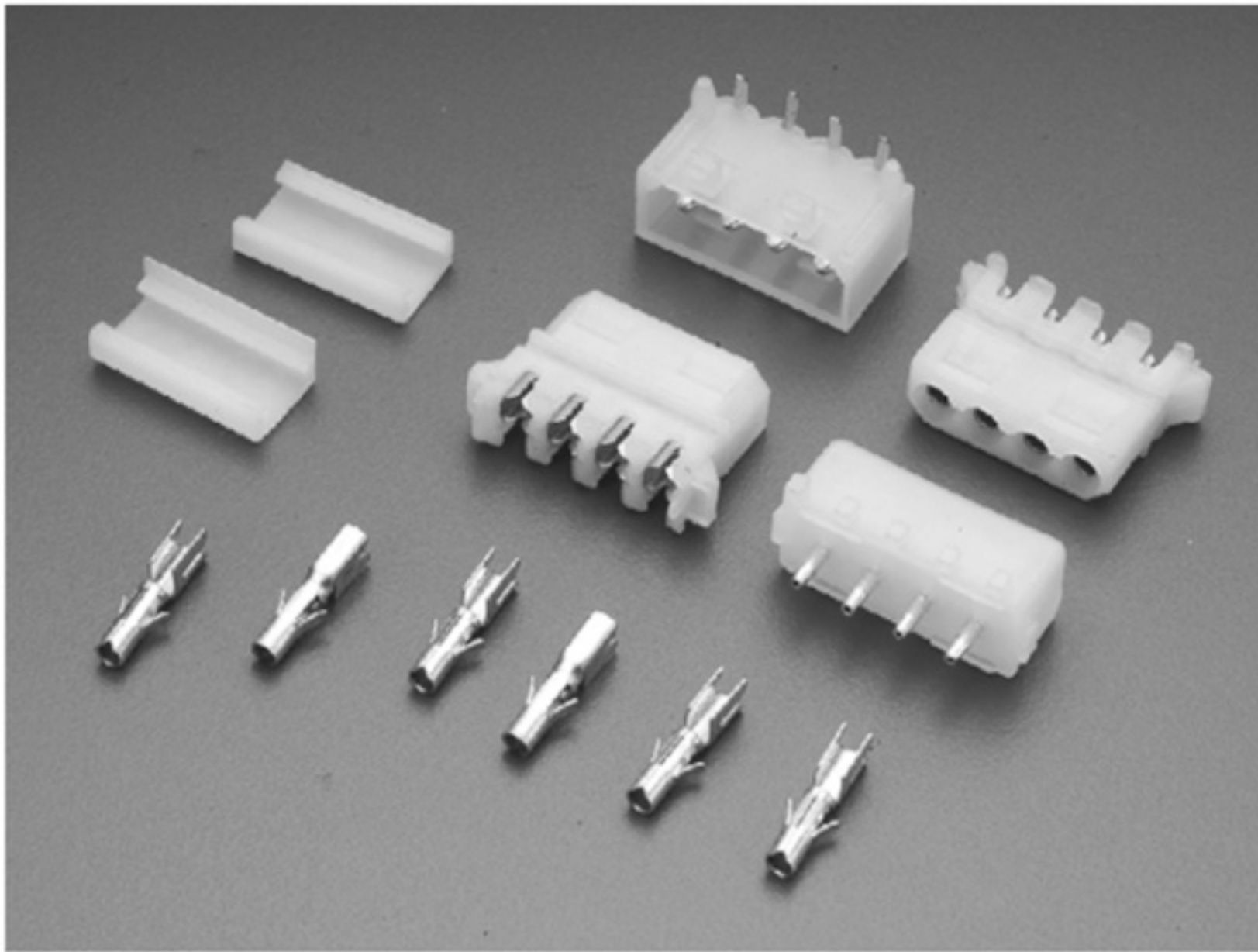


8613H SERIES

5.08mm PITCH IDC WIRE TO BOARD CONNECTOR



Specifications

Current rating: 5A AC,DC

Voltage rating: 250V AC,DC

Temperature range: -25°C to +85°C
(including temperature rise)

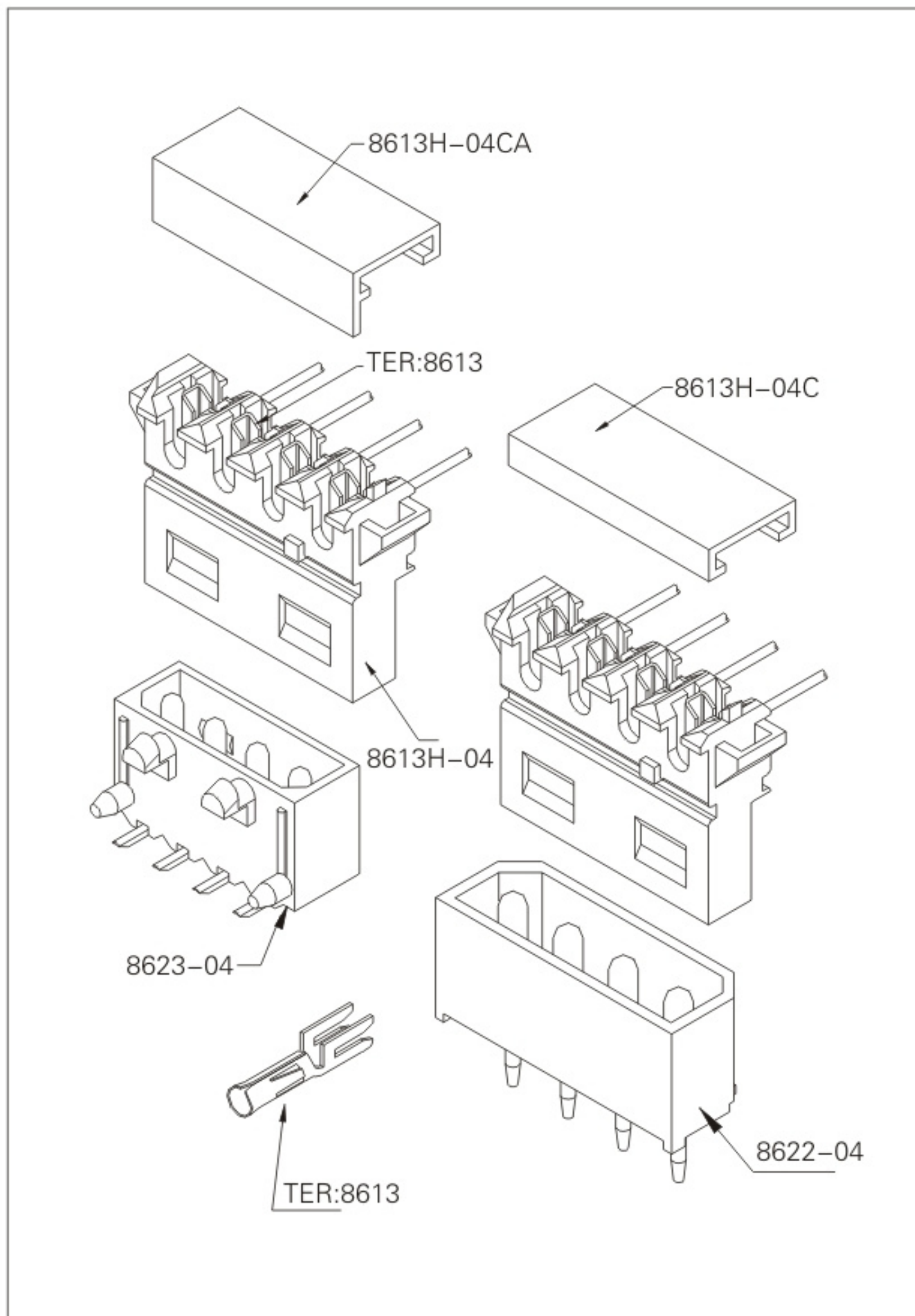
Contact resistance: Initial value/ 10m Ω Max.

After environmental testing/20m Ω Max.

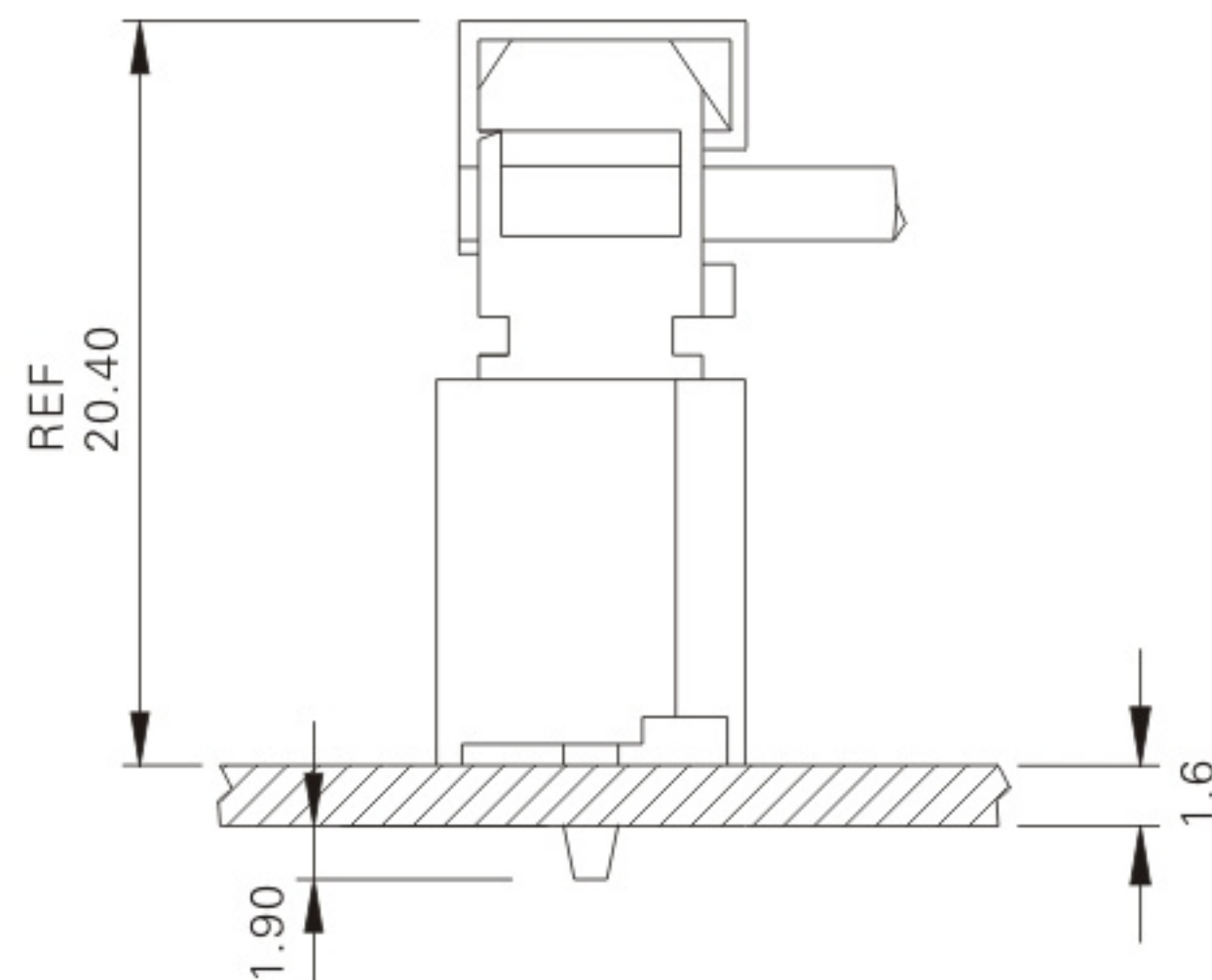
Insulation resistance: 500M Ω Min.

Withstanding voltage: 1000V AC/minute

Applicable wire: AWG#22-#26



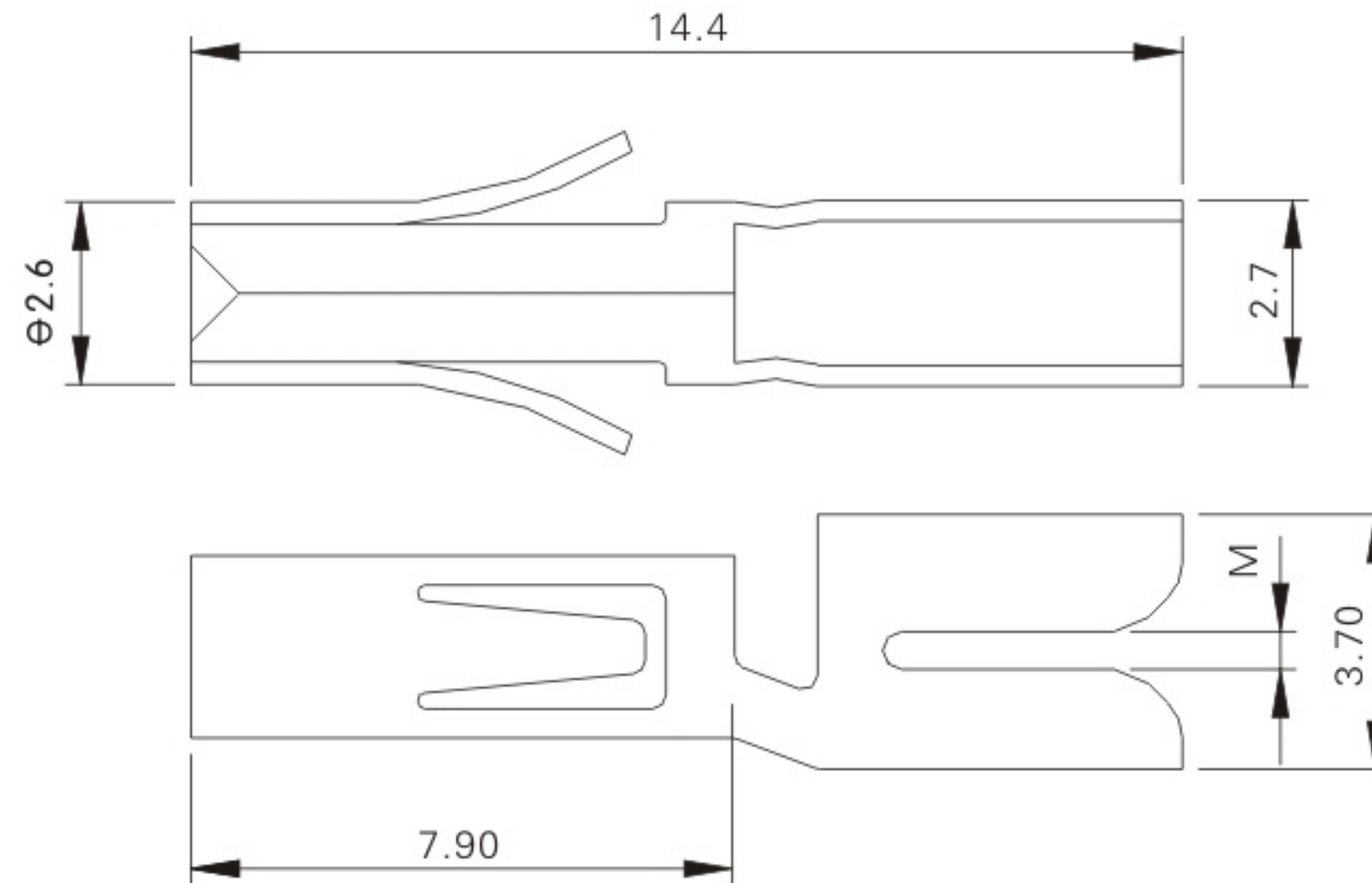
Assembly layout



8613 (5.08mm pitch crimp terminal)

Reference Informations:

- *Thickness: 0.3mm
- *Mat'l: Phosphor Bronze Tin Plated
- *Mates With: 8613H-04 series Housing



Part No.	M
A	0.55
B	0.47

Ordering Information & Specifications

Unit: mm

Part No.	Wire Range	Insulation O.D.	Material	Finish	Qty/bag
8613AP/8613BP	AWG#22-26	$\phi 1.5 \sim \phi 1.2$	Phosphor Bronze	Tin-plated	5,000

8613H-04/04C 104CA (5.08mm pitch and closed housing and covers)

Reference Informations:

- *Mat'l: Nylon 66 UL 94V-2
- *Mates With: 8613H series Terminal
- *Accepts With: 8622-04 & 8623-04 series Wafer

